

Cartilage "Slide" Explant Storage at Various Temperatures

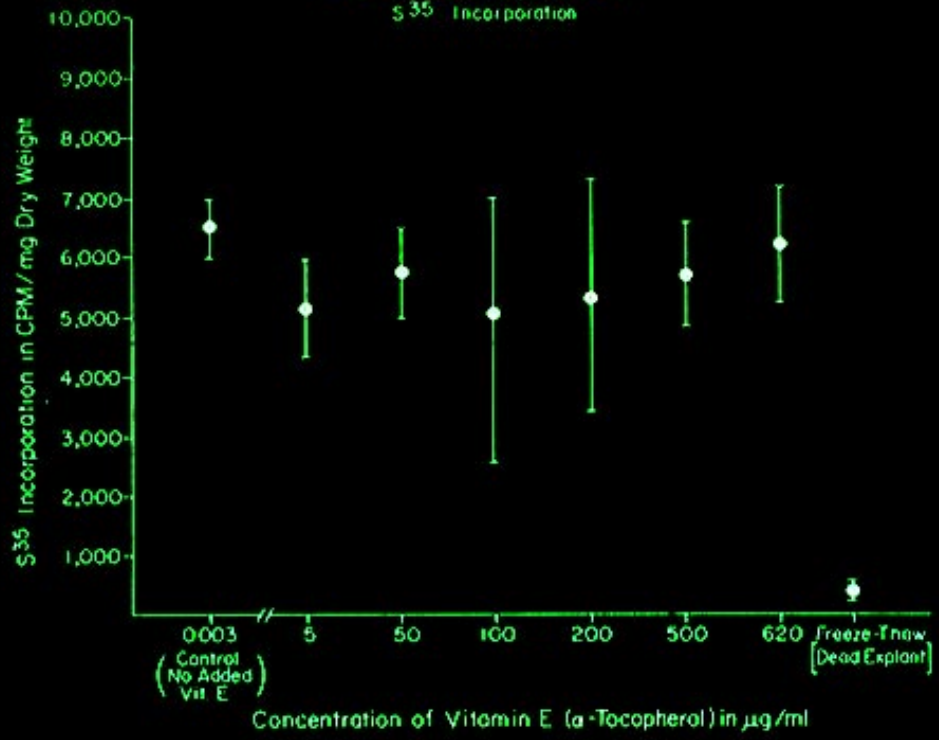
^{35}S Uptake in CPM/ μg DNA

STORAGE TEMPERATURE	DURATION OF STORAGE		
	7 DAYS	21 DAYS	60 DAYS
37 °C	• 2030 ± 640 N = 20	1005 ± 122 N = 20	4245 ± 1108 N = 20
	• 686 - 3374	749 - 1261	1918 - 6572
21 °C	117 ± 28 N = 20	37 ± 5 N = 20	243 ± 129 N = 20
	58 - 176	26 - 48	0 - 514
4 °C	109 ± 23 N = 20	33 ± 9 N = 20	120 ± 60 N = 20
	61 - 157	14 - 52	0 - 246

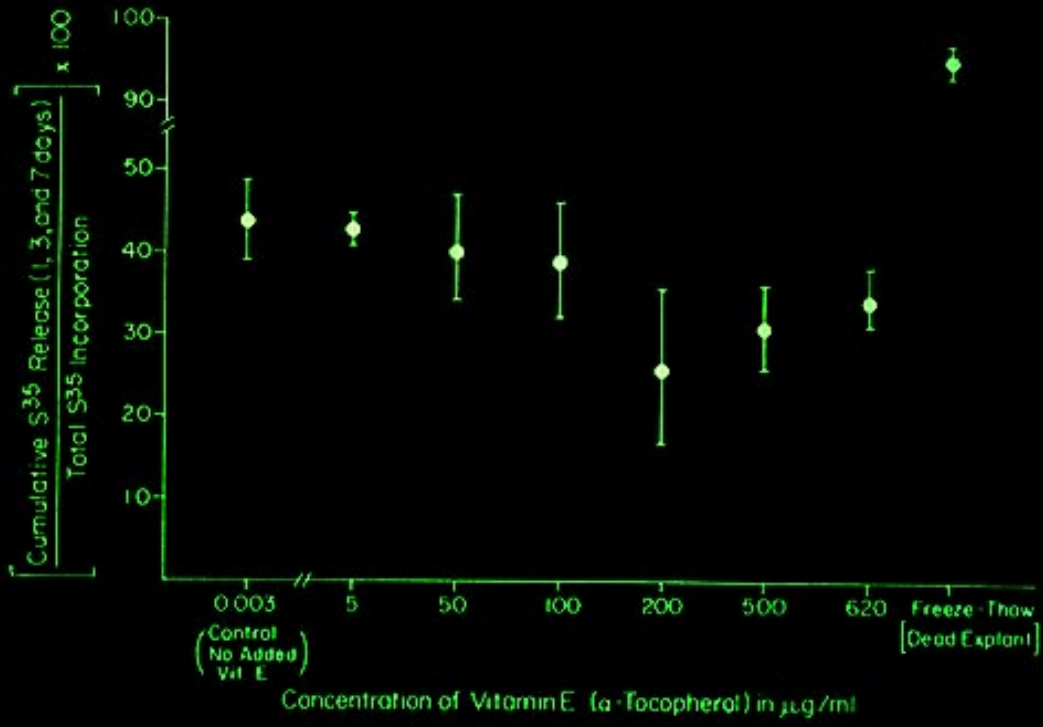
• Mean \pm Standard Error of the Mean N = Number

• 95% Confidence Limits

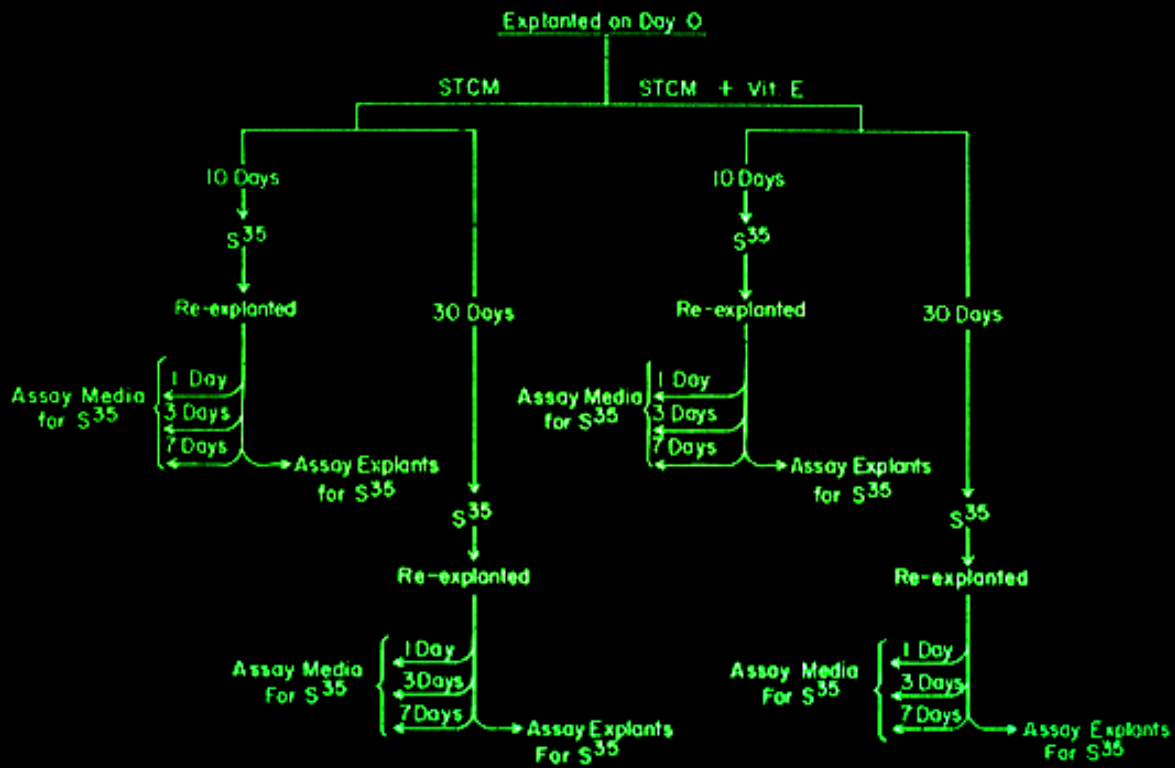
Rabbit Articular Cartilage "Slice" Explants
Vitamin E Dose/Response Curve
 ^{35}S Incorporation



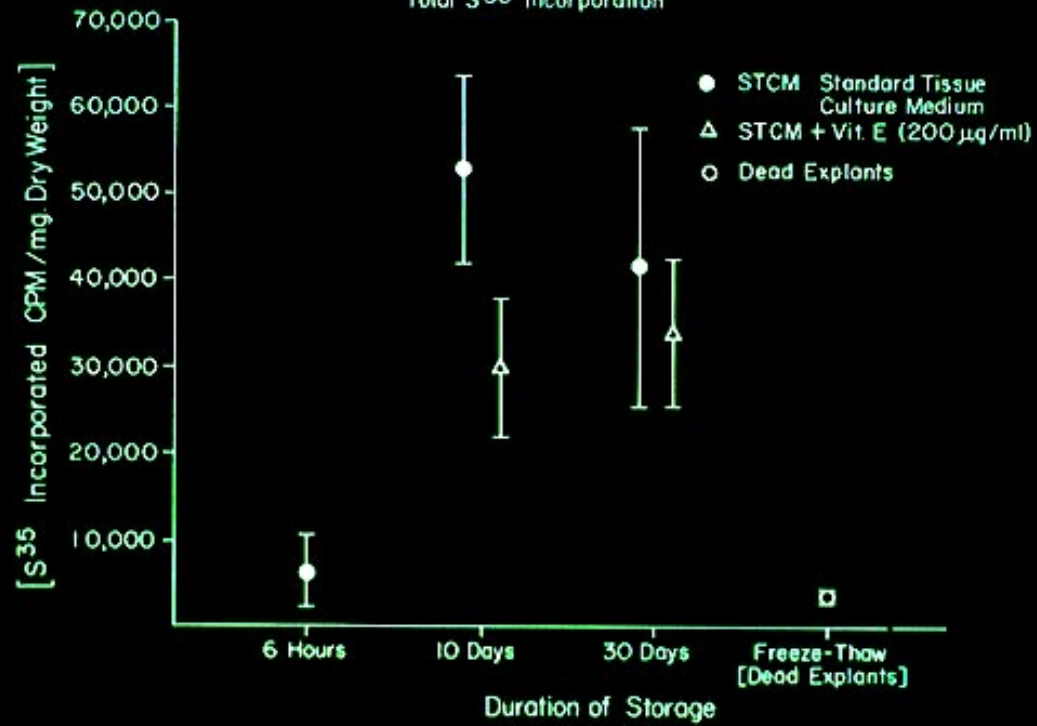
Rabbit Articular Cartilage "Slice" Explants
Vitamin E Dose / Response Curve
Per Cent Glycosaminoglycan Degradation



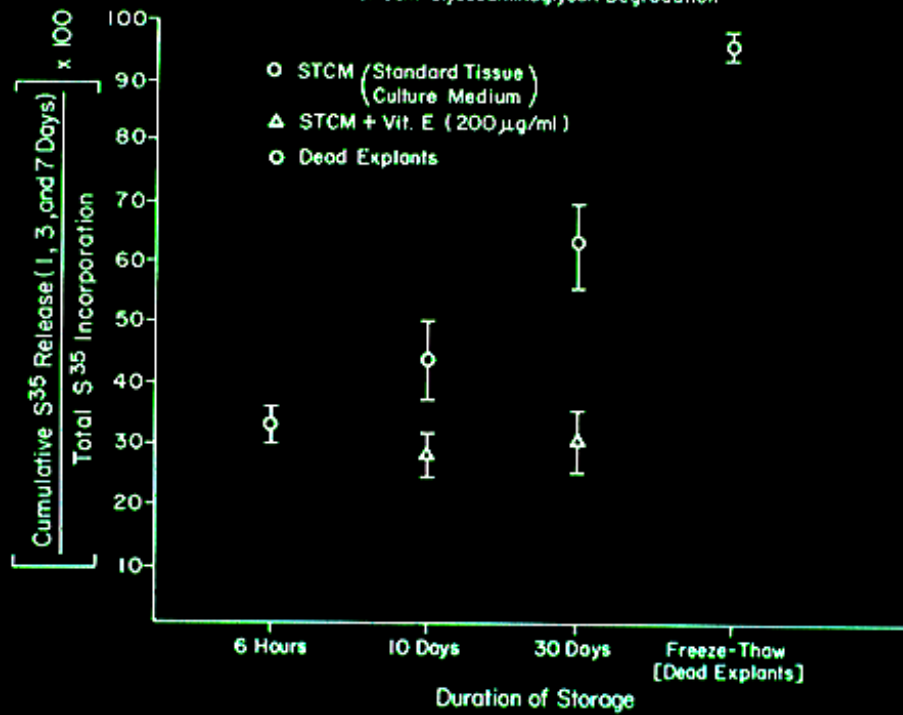
Rabbit Articular Cartilage "Slice" Explants
Storage For 10 and 30 Days



Storage of Articular Cartilage "Slice" Explants
With and Without Vitamin E
Total S³⁵ Incorporation



Storage of Rabbit Articular Cartilage "Slice" Explants
With and Without Vitamin E
Per Cent Glycosaminoglycan Degradation



Storage of Articular Cartilage "Slice" Explants
With and Without Vitamin E
Hexosamine Concentration

